

OC 613
T1

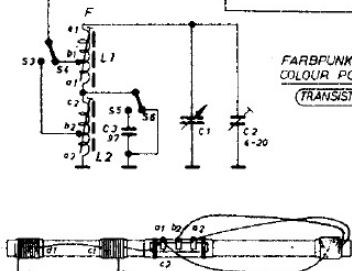
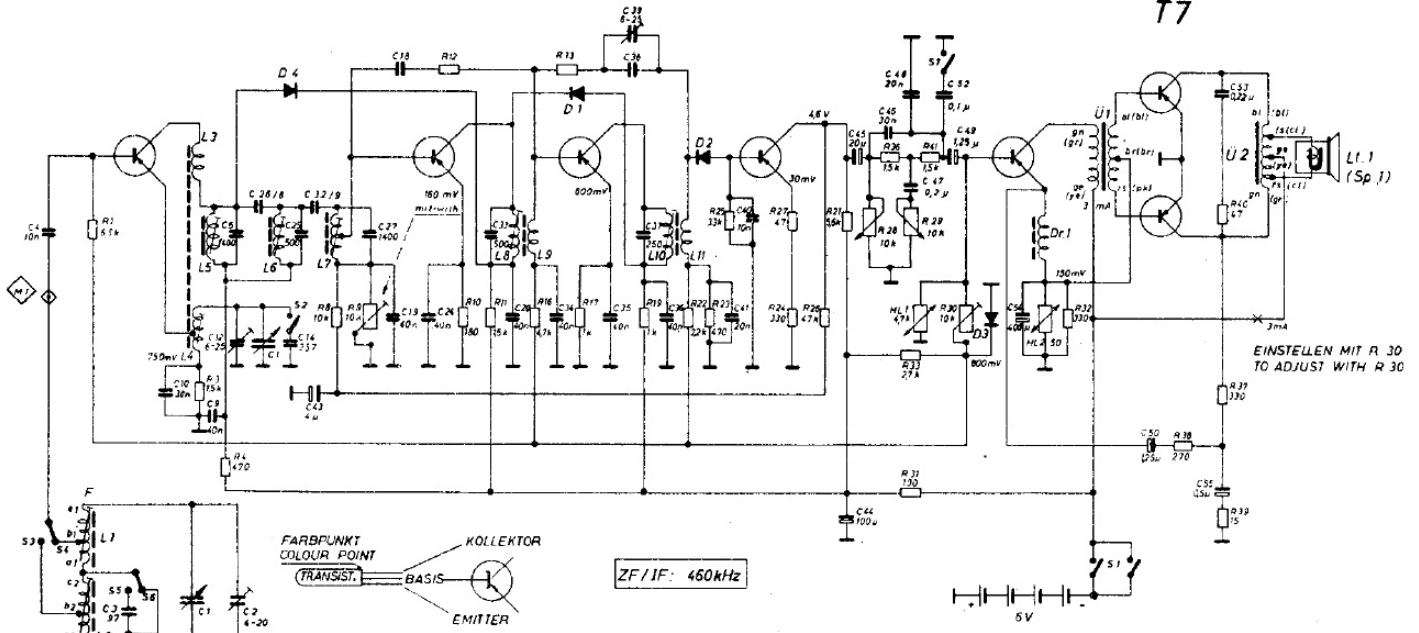
OC 612
T2

OC 612
T3

OC 604
T4

OC 604
T5

OC 604 spez.
T6
T7



| | | | | | | | |
|----------------------|----|----|----|----|----|----|----|
| | S1 | S2 | S3 | S4 | S5 | S6 | S7 |
| ASTEN PUSH-BUTTON | | | | | | | |
| AUS | | | | | | | |
| M W | | | | | | | |
| LW | | | | | | | |
| TON | | | | | | | |
| TON | | | | | | | |

GESCHLOSSEN
- CLOSED

STROME UND SPANNUNGEN GEMESSEN
BEI BATTERIE-SPANNUNG 6V MIT
UVA 33k OHM/V

CURRENTS AND VOLTAGES MEASURED
WITH B-SUPPLY OF 6V,
INSTRUMENT 33k OHMS/V

K 167

